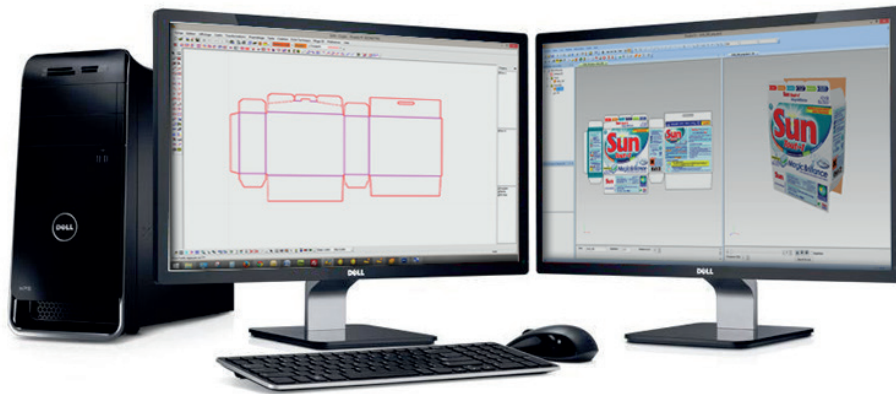


Packaging and Pos CAD Software :

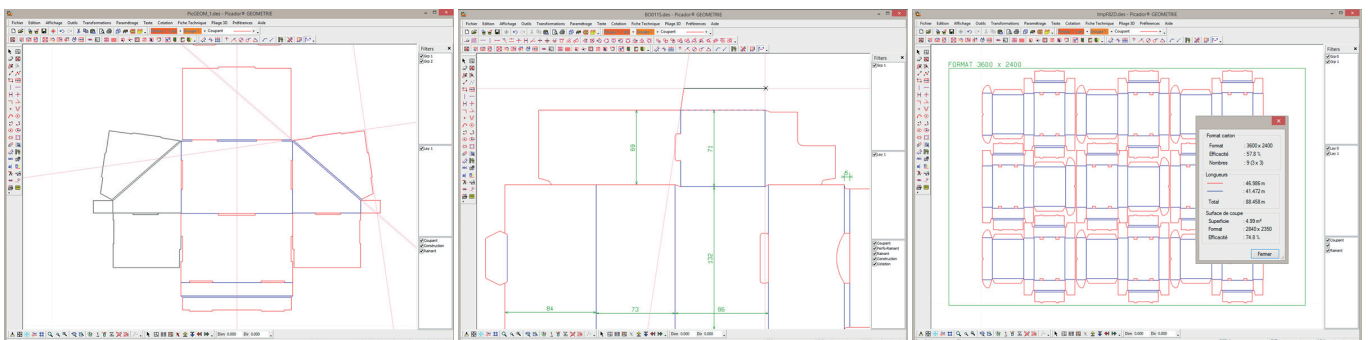
A full range of CAD modules and features to design packaging and POS [structural and parametric 2D CAD drawing geometry, 3D automatic folding, 3D product/packaging assembly, 3D animation, automatic layout/imposition, data sheet, cutting table controller and drivers, standard library database (Ecma, Fefco, Pos), customized new models libraries tools, PLM or ERP integration SDK (ActiveX, .NET, XML)]



2D

A wide range of Specialized Tools and Features adapted for Packaging and POS Structural Design:

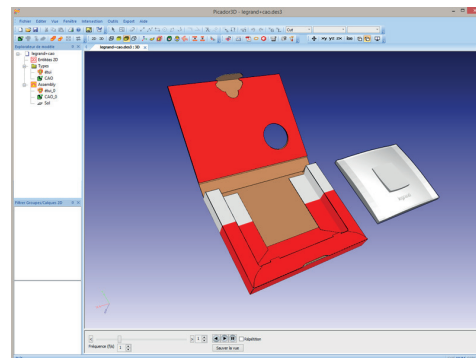
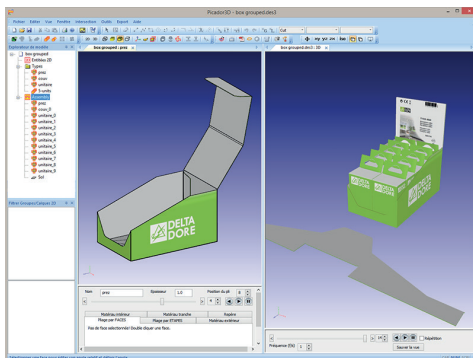
- Geometrical functions for packaging design (Geometry, Construction, Quotation, Hatch, Text, Image);
- Study and Production functions: Data Sheet, Calculation (Surface, All out, Nets);
- Picador géométrie plan symétrie PLVImbrication, Imposition, Tools (Cutting, Slotting, Perforating), Cardboard Format, Plotter Output, Image Insertion, Digitizing.
- Draw and Parametrical Design. Conversion of an existing draw into a parametric model ;
- Several Standards Libraries you can resize at your own convenience (FEFCO, ECMA, POS, Packaging)
- Additional Diemaker tool : Bridge, Cutting width nets (points), Wood format, Easy set;
- Import/Export : PDF, EPS, Ai, CFF2, DDES, DXF, DWG, IGES, Hpgl, Diecad (.N).



3D

Powerful and Easy to Use 3D Solution for Assembly and Virtual Prototyping: Direct transfer of 2D model into Picador3D

- Automatic 2D / 3D Folding
- Folding / Unfolding 3D Animation
- 3D Assembly, exploded and sequenced view of animated assembly
- Creation of Interactive and Animated 3D PDF. Your client can see and manipulate your model by using Adobe Reader.
- Printing Files or Texture Positioning.
- Imported graphic images may come from software like CorelDraw™, Adobe Illustrator™, Photoshop™, Quark Xpress™ (Mac or Windows)
- Import of CAD objects (Step, Stp, Iges, Igs) and 3D textured model (Stl, Dae, Obj, 3DS...) Interactive positioning, congestion calculating, intersection calculating for wedging achievement.
- 3D Export: Stl, Dae, Réalité Augmentée, WebGL



Cutting

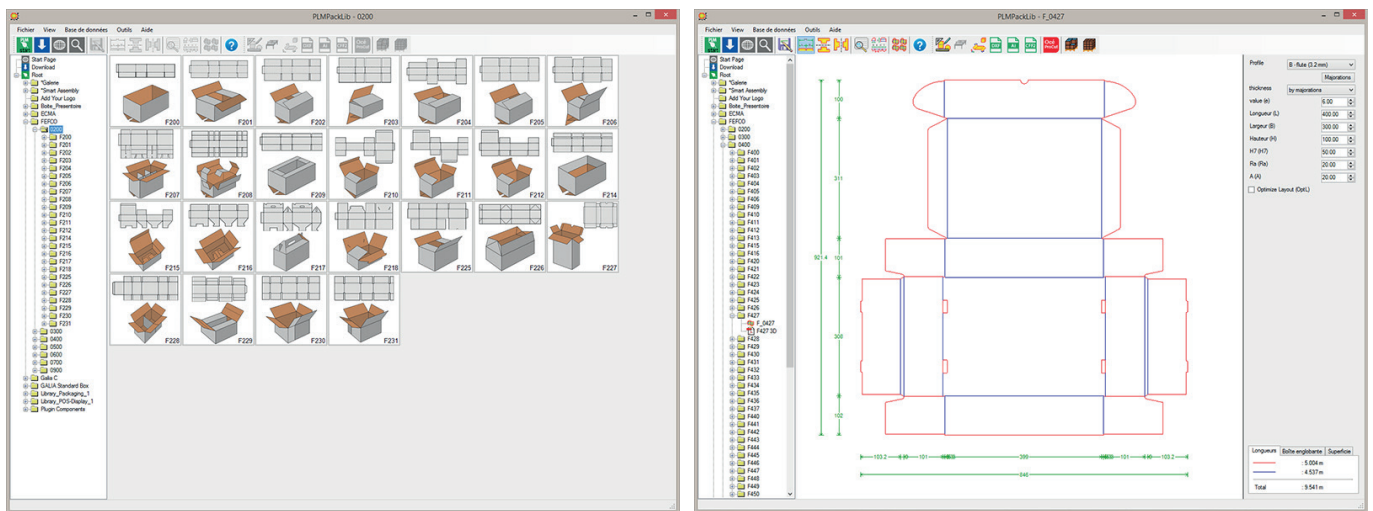
A Software Module Intended to Control Cutting Table and Shaping Lasers:

- It controls all cutting tables (ZUND, ARISTO, DATA TECHNOLOGY, ELCEDE, KONGSBERG, LASERCOMB, SEI, WILD, GRAPHTEC, iECHO, MIMAKI, MECANUMERIC...)
- Placement - multi model imposition on cardboard format, automatic optimization of tools path
- Automatic speed and pressure setting according to the used material
- Parameters for tangential knife (fixed or oscillatory), Creasing, Pen, Cutter, Laser, WaterjetCutting or Milling
- Possibility of deporting cutting station - Cutting simulation on your screen
- Additional Diemaker Tool - Laser Cutting: Bridge, Nets width, Flat and rotating forms, Nets cutting, Wood format...

Standards

Find Several Packaging and POS Models in PICADOR's Standards Catalogs:

- Find parametrical standards of folding carton and corrugated cardboard (FEFCO, ECMA, POS)
- Create a new library via the download area
- Create parametrical models in PICADOR in order to create your own professional library
- Length nets calculation, cutting surface imposition according to the forms and machines, lost
- Reusable Plug-In with others applications (composants dll .NET)
- Save your time and reduce errors



Palletization

Logistic Optimization, Palletizing, Packing and Truck Loading:

- Easy to use
- Many features dedicate to palletizing and logistics optimization : Case palletization, filling cartons/case, Optimal case calcul , Palletizing bundles (flat cases or cartons), Adding interlayers, cap, protective film, angles ...
- Database of boxes in stock
- Automatic analysis report
- Strength analysis

